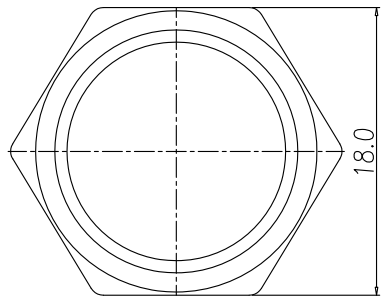
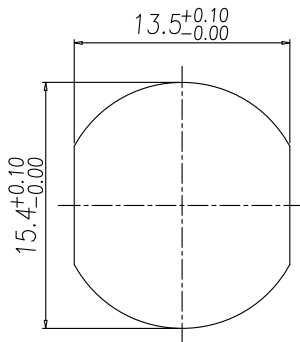
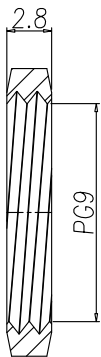


P.C.B LAYOUT



NUT



RECOMMEND PANEL CUT-OUT

1. MATERIAL :
 - 1-1. HOUSING : PA66 UL94V-0 ; COLOR : BLACK
 - 1-2. CONTACT : BRASS
 - 1-3. NUT : BRASS
 - 1-4. SHELL : BRASS
 - 1-5. O-RING : EPDM
2. FINISH :
 - 2-1. CONTACT : GOLD FLASH.
UNDER PLATE : NICKEL
 - 2-2. NUT : NICKEL PLATED
 - 2-3. SHELL : NICKEL PLATED
3. ELECTRICAL SPECIFICATION :
 - 3-1. Rated current : 10A
 - 3-2. Rated Voltage : 60V
 - 3-3. Water proof : IP67/68
4. Environmental :
 - 4-1. Operation Temperature : -40℃~85℃
5. Part No. : M12-05NM-2007

REVISIONS

REV.	ECN NO.	DESCRIPTION	DATE	APPROVED BY	DRAWN BY	DATE	DRAWING SCALE: A4		
---	---	NEW ISSUE	2019/06/26	JIM	UNA	2019/06/26	GENERAL TOLERANCES		
△	---	NEW ISSUE	2019/06/26	JIM	CHECKED BY	DATE	X.X	±0.20	ANGLE
					WILLIAM	2019/06/26	X.XX	±0.10	X° ±1.0°
					APPROVED BY	DATE	X.XXX	±0.05	X.X° ±1.0°
					JIM	2019/06/26	X.XXXX	±0.03	

A100 A100 Technology Corp.

SCALE: 1:1 UNIT: mm PAGE: 1 of 1
 TITLE: M12 5 PINS PANEL SIDE FEMALE TYPE (L CODE) WATERPROOF CONNECTOR