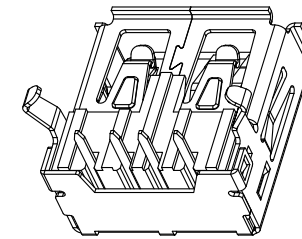


RECOMMENDED PCB LAYOUT



NOTES:

1. MATERIALS:

- 1-1. Contacts: Phosphor Bronze, Gold Flash or Gold 30u"/Tin plated.
- 1-2. Insulator: Nylon 9T. UL94V-0 Rated.
- 1-3. Shell: Brass, Nickel Plated.

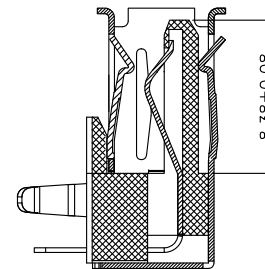
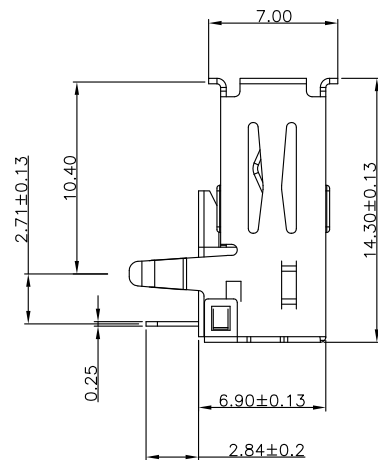
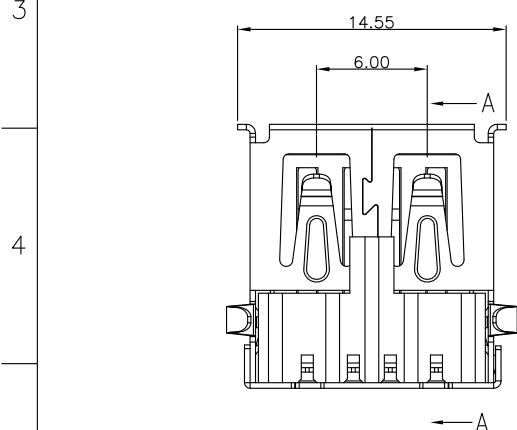
2. ELECTRICAL:

- 2-1. Contact current Rating: 1 Amperes.
- 2-2. Dielectric Withstanding Voltage: DC 750V at sea level.
- 2-3. Insulation resistance: 1000 Megohms Min.
- 2-4. Contact Resistance: 30 Milliohms Max.

3. OPERATING TEMPERATURE: -55°C to +85°C

4. MECHANICAL CHARACTERISTICS:

- 5. Mating Force: 3.57Kg (35N). Max.
- 6. Unmating Force: 1.5Kg (15N). Min.
- 7. PART NO.



Section: A-A

PART NO.	PLATING	COLOR
UB2-04ZN-3010	GOLD FLASH	ORANGE
UB2-04ZN-3011	30u"	ORANGE

REVISIONS

REV	ECN NO.	DESCRIPTION	DATE	APPROVED BY	DRAWN BY	DATE	DRAWING SCALE : A4	GENERAL TOLERANCE
A	-----	NEW RELEASE	2011/09/03	JACK	WILLIAM	2011/09/03	X ± ---	ANGLE
					JIM	2011/09/03	X.X ± 0.25	X.X° ± 2°
					JACK	2011/09/03	X.XX ± 0.20	X.XX° ± 1°
					JACK	2011/09/03	X.XXX ± 0.10	

a100tek **A100 Technology Corp.**

SCALE : 1:1		UNIT : mm	PAGE : 1 of 1
TITLE :			
USB-A/F R/A DIP TYPE CONNECTOR			